

## ASSEMBLY INSTRUCTIONS

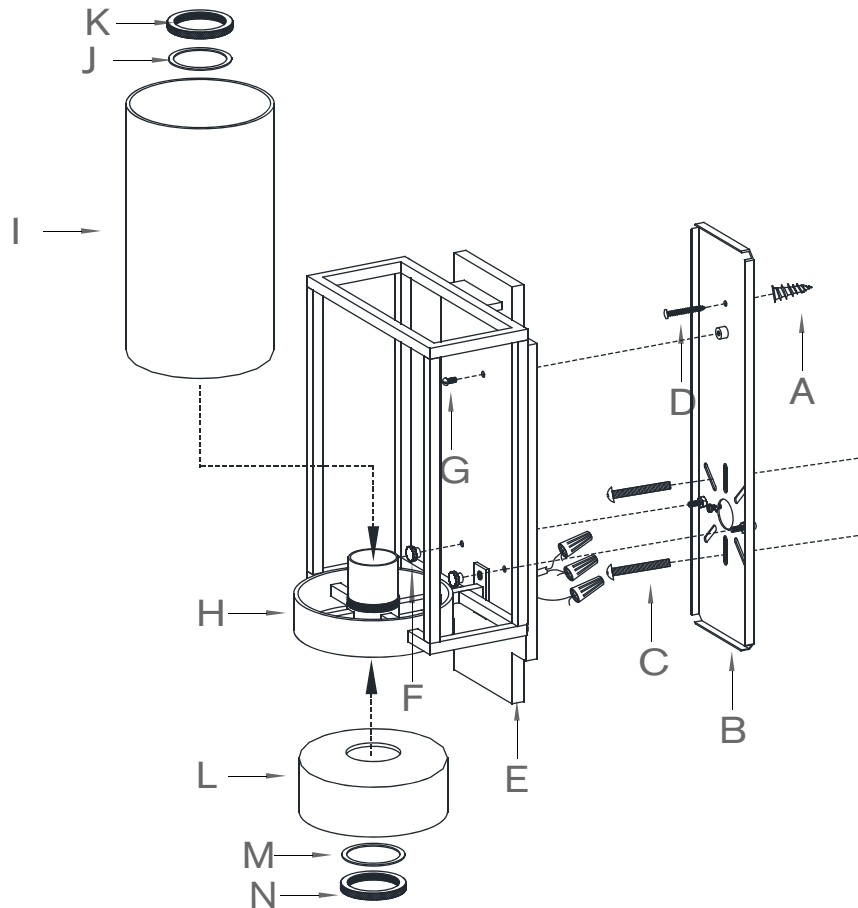
Presidio Small Sconce  
Item # S 2167

**WE RECOMMEND INSTALLATION OF THIS LIGHTING FIXTURE BE DONE BY A LICENSED ELECTRICIAN.**

**WARNING \*\*\* SWITCH OFF THE MAIN ELECTRICAL SUPPLY FROM THE MAIN FUSE BOX/CIRCUIT BREAKER BEFORE INSTALLATION.**

**INSPECT ITEM CAREFULLY BEFORE ATTEMPTING TO INSTALL. IF THERE IS ANY DAMAGE OR OBVIOUS DEFECT, DO NOT INSTALL.**

**ITEM MAY NOT BE RETURNED ONCE IT HAS BEEN INSTALLED.**



- Carefully remove all parts from the carton.
- Remove mounting plate (B) from base of light fixture (E) by removing cap nuts (F) and bolt (G) in counter-clockwise direction.
- Position mounting plate (B) on the wall outlet box. Mark a point for top mounting hole on the wall for mounting plate (B). Remove mounting plate (B).
- Drill small hole on the point location on the wall, the hole should be large enough to accommodate with the metal anchor (A). Push metal anchor (A) into the hole in the wall.
- Affix mounting plate (B) to wall by aligning holes and secure by inserting mounting screws (C) to the holes of outlet box and screw (D) to the metal anchor (A) in the wall.
- Gently pull the wires from the wall outlet and allow the wires to hang. Thread the wires through the center hole in mounting plate (B).
- Attach ground (green) wire to ground wire from wall outlet box (usually green or copper in color), fasten together with a plastic wire connector. Tighten wrap the wire with electrical tape, so the end of the connector is sealed. IT IS IMPERATIVE THAT THE OUTLET BOX IN YOUR HOME BE PROPERLY GROUNDED.
- Connect neutral (white) fixture wire coming from fixture base to neutral (usually white) outlet wire. Fasten both wires together with a plastic wire connector and tightly wrap the wire connector with electrical tape.
- Repeat the procedure with the hot (black) wires. Always make sure that no wire strands are left outside the connectors. DO NOT REVERSE THE HOT AND NEUTRAL CONNECTIONS OTHERWISE SAFETY WILL BE COMPROMISED.
- Attach fixture base (E) to mounting plate (B), letting the rods on mounting plate (B) pass through the holes on fixture base (E) and secure with cap nuts (F), insert screws (D) to metal anchor (A) to secure mounting plate (B) to the wall.
- Remove socket rings (K) & (N), washers (J) & (M) from shade holder (H), place shade (I) onto the top of shade holder (H) and secure by replacing washer (J) and socket ring (K). Place shade (L) onto the bottom of shade holder (H) and secure by replacing washer (M) and socket ring (N).
- Insert light bulb into socket.
- Installation is completed. Restore power and test fixture.

\*\*\* Clean with a dry, soft cloth only. Use no harsh abrasives or chemical agents.